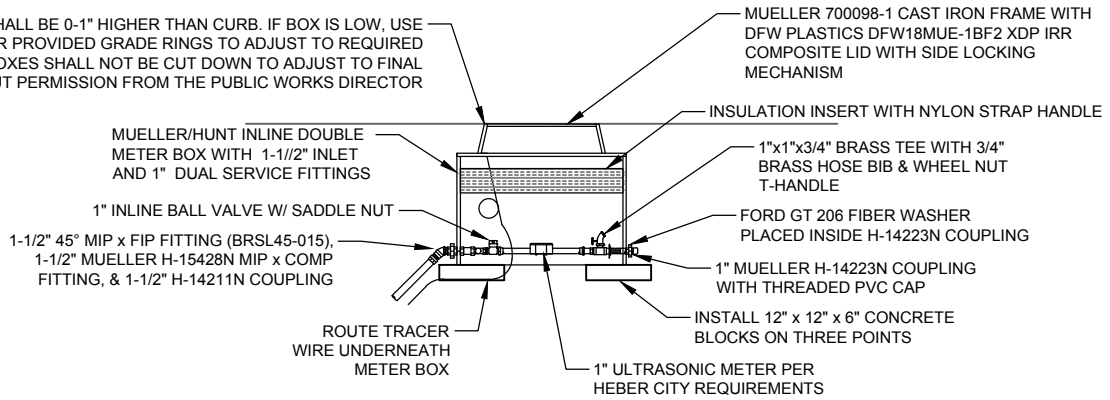


TABLE 1				
SERVICE LINE SIZE	MINIMUM METER BOX SIZE	BOX MODEL	LID / FRAME MODEL	COMMENTS
1 INCH	27" x 18"	330ID2718FAB000650N	DFW18MU1BF2 XDP IRR / 700098-1	NEW SERVICES

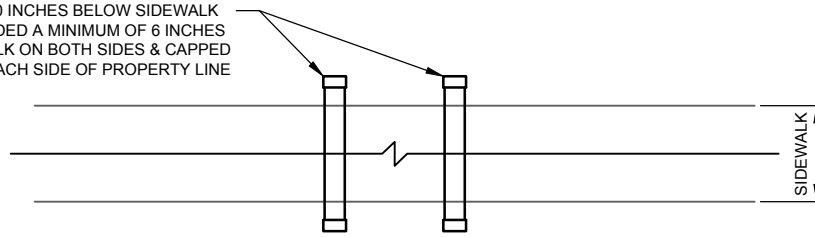
NOTE 1: FOR LARGER SIZES, USE SINGLE SERVICE DETAIL AND CONFIGURATION.

TOP OF BOX SHALL BE 0-1" HIGHER THAN CURB. IF BOX IS LOW, USE MANUFACTURER PROVIDED GRADE RINGS TO ADJUST TO REQUIRED GRADE. BOXES SHALL NOT BE CUT DOWN TO ADJUST TO FINAL GRADE WITHOUT PERMISSION FROM THE PUBLIC WORKS DIRECTOR

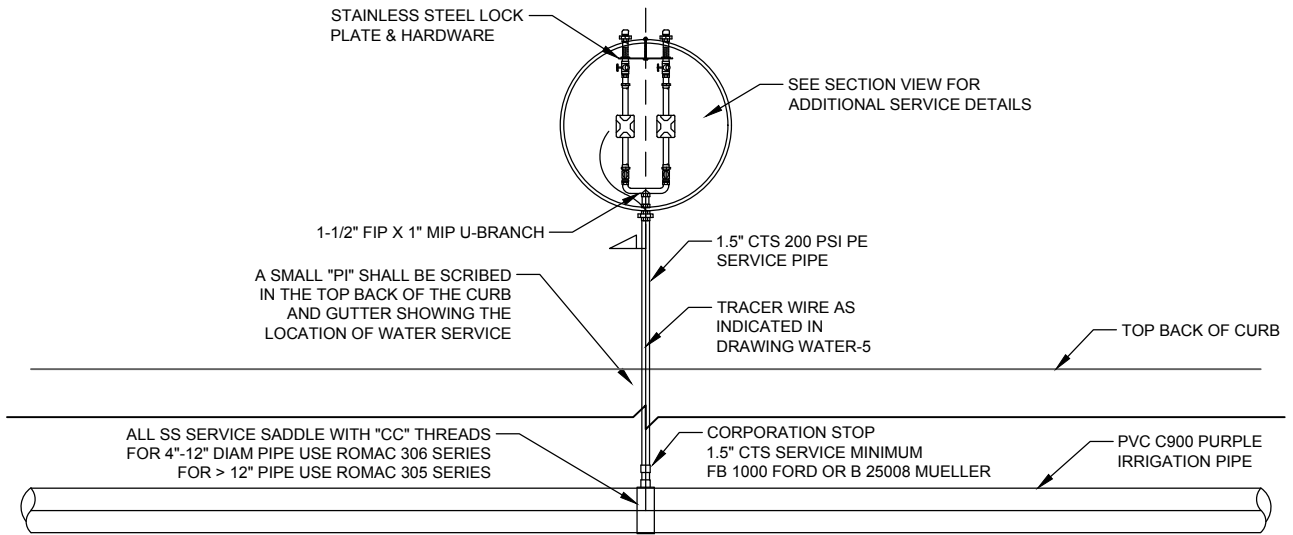


SECTION VIEW

4 INCH SLEEVE 10 INCHES BELOW SIDEWALK SURFACE, EXTENDED A MINIMUM OF 6 INCHES PAST THE SIDEWALK ON BOTH SIDES & CAPPED LOCATE 5 FT ON EACH SIDE OF PROPERTY LINE



SECTION



NOTES:

1. ALL COMPONENTS SHOWN TO BE FURNISHED AND INSTALLED BY DEVELOPER AND CONFORM TO AWWA C800.
2. STAINLESS STEEL STIFFENERS ON ALL POLY CONNECTIONS.
3. METER BOXES ALLOWED WITHIN DRIVEWAY ZONE ONLY WITH PRIOR APPROVAL FROM PUBLIC WORKS DIRECTOR.
4. WHEN METER BOXES ARE INSTALLED WITHIN DRIVEWAY ZONES OR WITHIN OTHER PAVED SURFACES, DIFFERENT TRAFFIC RATED LIDS & FRAMES MAY BE REQUIRED PER THE DIRECTION OF THE PUBLIC WORKS DIRECTOR.
5. IRRIGATION METER CAN TO BE LOCATED IN THE MIDDLE OF THE PLANTER STRIP OR BETWEEN SIDEWALK AND PROPERTY LINE (FOR COMBINATION SIDEWALK) OR AS DIRECTED BY ENGINEER. 4" SLEEVE REQUIRED ON ALL INSTALLATIONS INCLUDING EXISTING SIDEWALK.
6. IRRIGATION SERVICE SHOULD CONNECT DIRECTLY TO THE MAIN LINE AND NOT "TEE" OFF OF SERVICE LINES.
7. METER CAN SHALL BE COMPLETELY BACKFILLED WITH COMPACTED 3" MINUS GRANULAR MATERIAL FROM TOP TO BOTTOM.
8. BEDDING OF ALL PIPE SHALL CONFORM TO HEBER CITY BEDDING STANDARDS FOR CULINARY WATER.
9. UNDER NO CIRCUMSTANCES SHALL THREAD SEALANT PASTE INCLUDING PIPE JOINT COMPOUND, PIPE DOPE, TEFLON PASTE, ETC. BE USED ON CITY INFRASTRUCTURE.
10. METER FEE WILL BE ASSESSED WITH BUILDING PERMIT OR AT TIME OF METER INSTALLATION.

IRRIGATION SERVICE - TWO LOTS

V:\ENGR\Stds\Spec\StdsSpec 2019\DWG Files\IRRIGATION-1A.dwg - IRRIGATION 1A - 1/23/2019 04:15pm. rfmnk

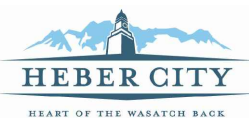
HORROCKS
ENGINEERS

728 WEST 100 SOUTH #2
HEBER CITY, UTAH 84032
(435) 654-2226

DATE: FEBRUARY 2019

SCALE: N.T.S.

75 NORTH MAIN STREET
HEBER CITY, UTAH 84032
(435) 654-0757



HEBER CITY
STANDARD DRAWING

IRRIGATION-1A